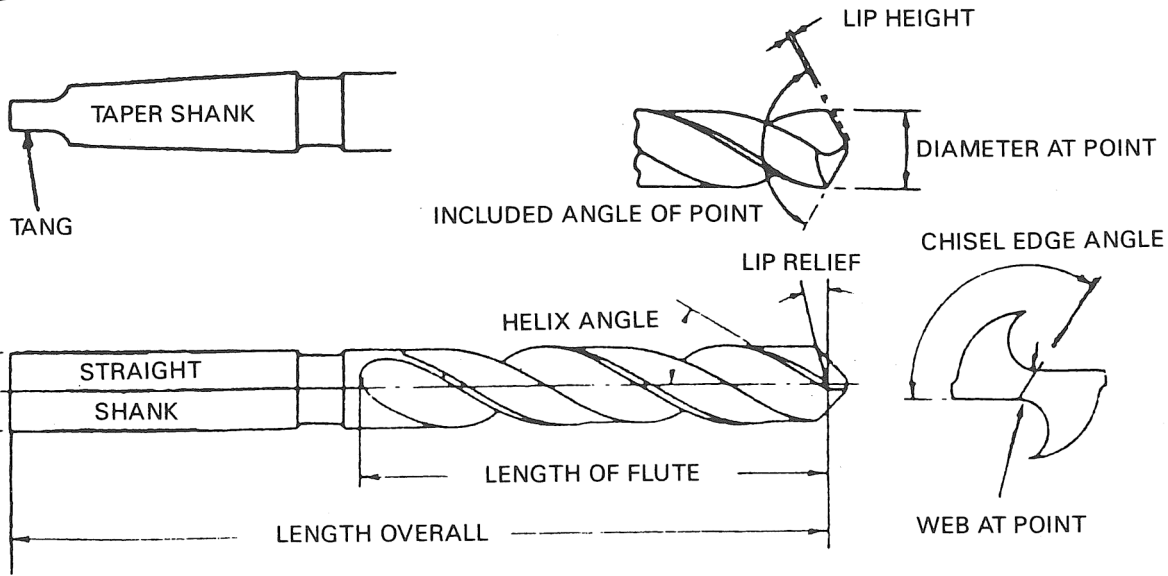




ACE DRILL REQUEST FOR "SPECIAL" DRILL QUOTE



QUANTITY _____

DIAMETER AT POINT _____

LENGTH OVERALL _____

LENGTH OF FLUTE _____

TYPE OF SHANK TAPER STRAIGHT (CIRCLE ONE)

SHANK DIAMETER _____

HELIX ANGLE _____

(if not standard)

POINT ANGLE _____

SPLIT POINT YES NO (CIRCLE ONE)

Send Quote Request Forms To:

Ace Drill Corporation

Fax: 517-265-9338

ENCLOSE ALL PRINTS AVAILABLE